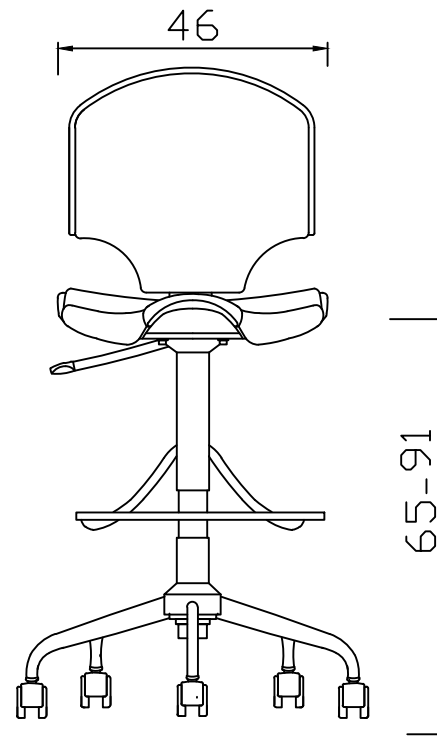
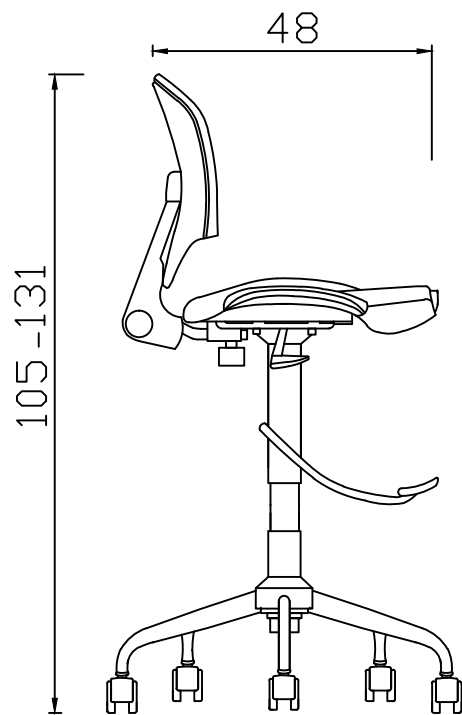
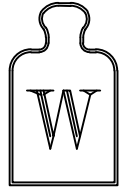


MODEL: P15

DIMANSIONS (Cm)

Silla




13^{±0.5} kg