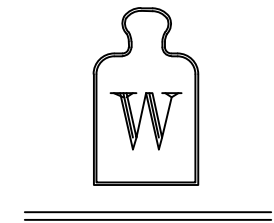
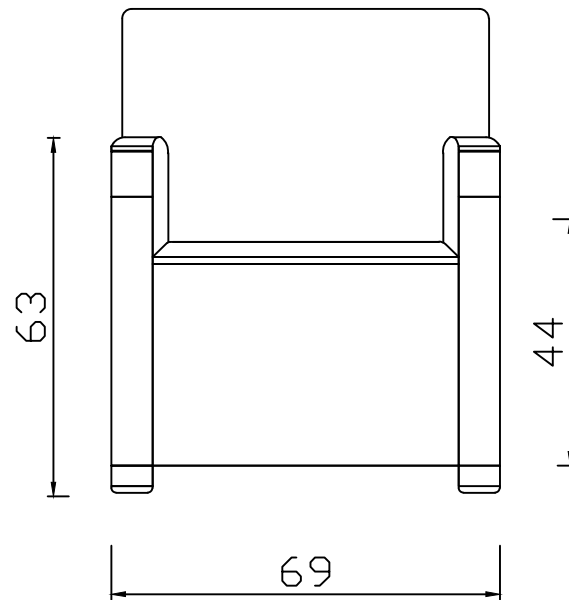
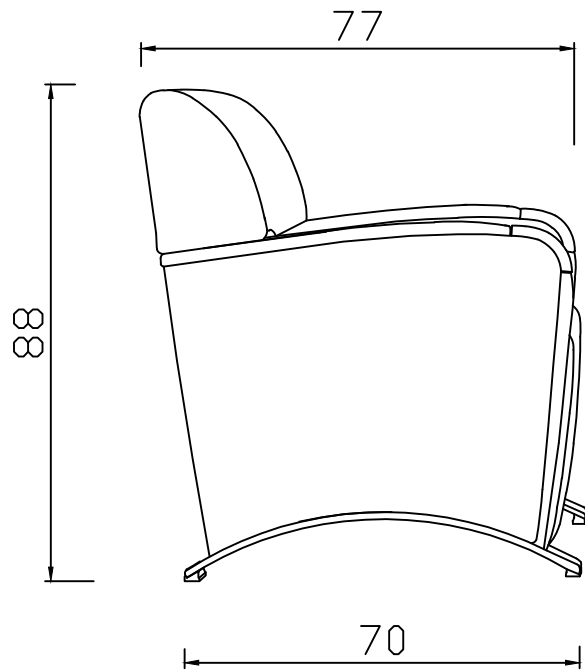


MODEL: F16P1

DIMANSIONS (Cm)

Silla



30^{±0.5} kg