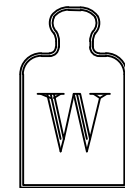
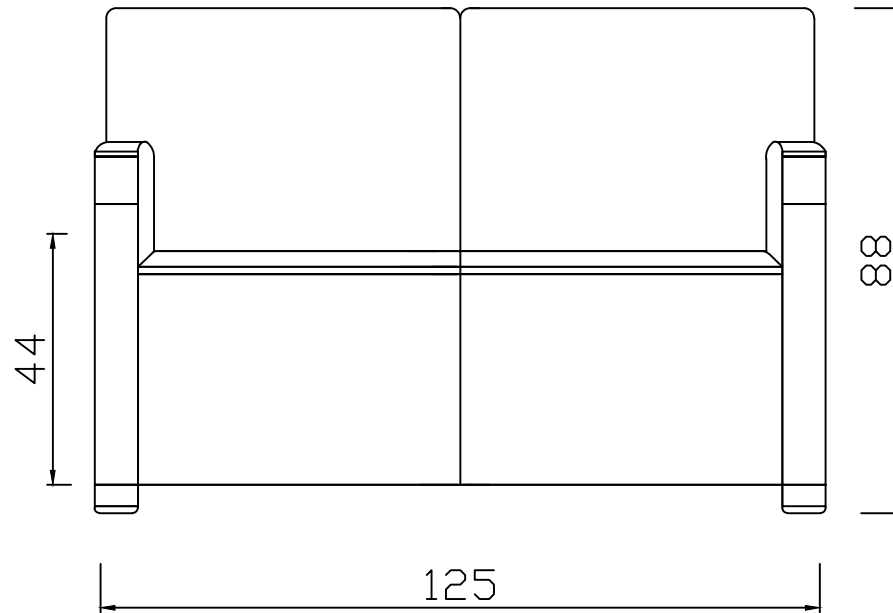
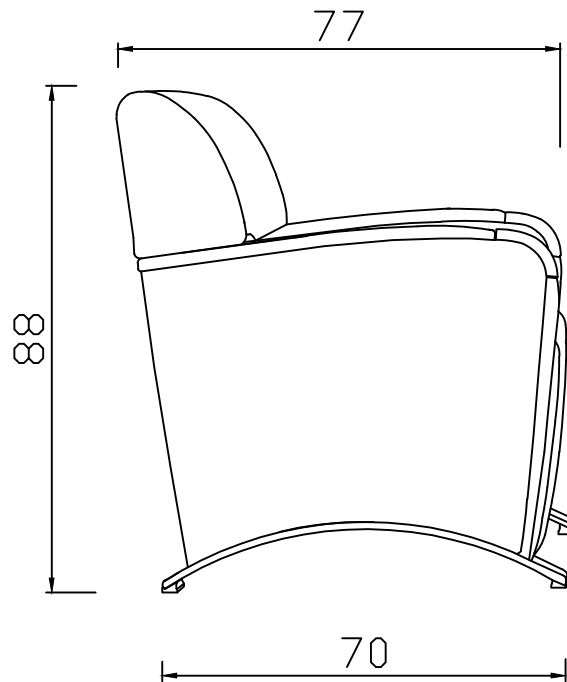


MODEL: F16P2

DIMANSIONS (Cm)

Silla



± 0.5
41 kg